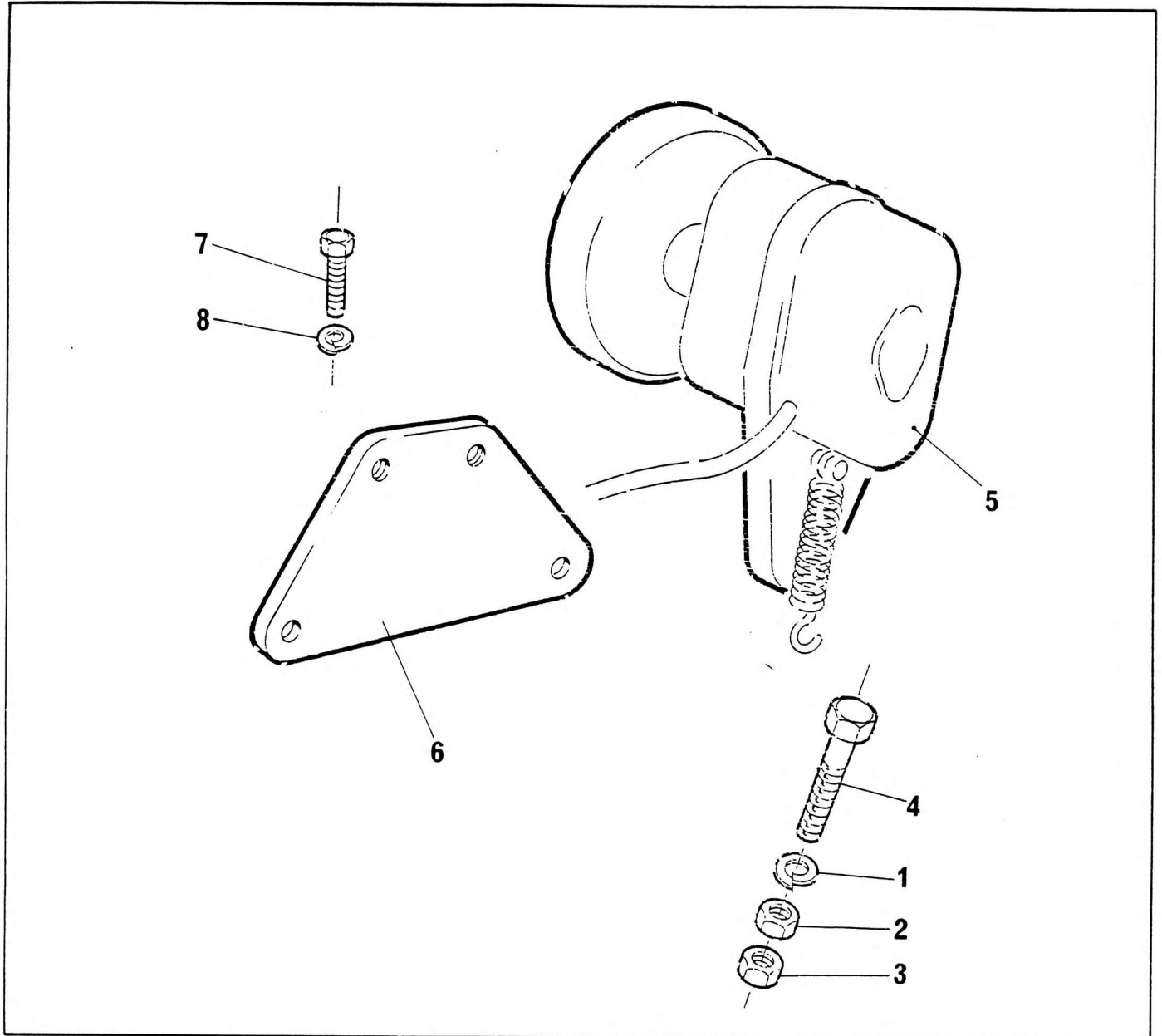


TRANSMITTER ASSEMBLY



NO.	PART NO.	QTY.	DESCRIPTION	NO.	PART NO.	QTY.	DESCRIPTION
1	7067212	2	Spring Washer M10				
2	7069301	2	Nut M10				
3	7069303	2	Locknut M10				
4	7045307	2	Bolt Hexagonal Head M10 x 50 Long				
5	+ 8807482	1	Barrel Rotation Indicator Assembly				
6	6-705-992092	1	Plate				
7	7-115-181015	2	Screw Hexagonal Head ½" UNC				
8	7-950-180050	2	Washer Spring ½" Dia				

+ See further breakdown in this group